

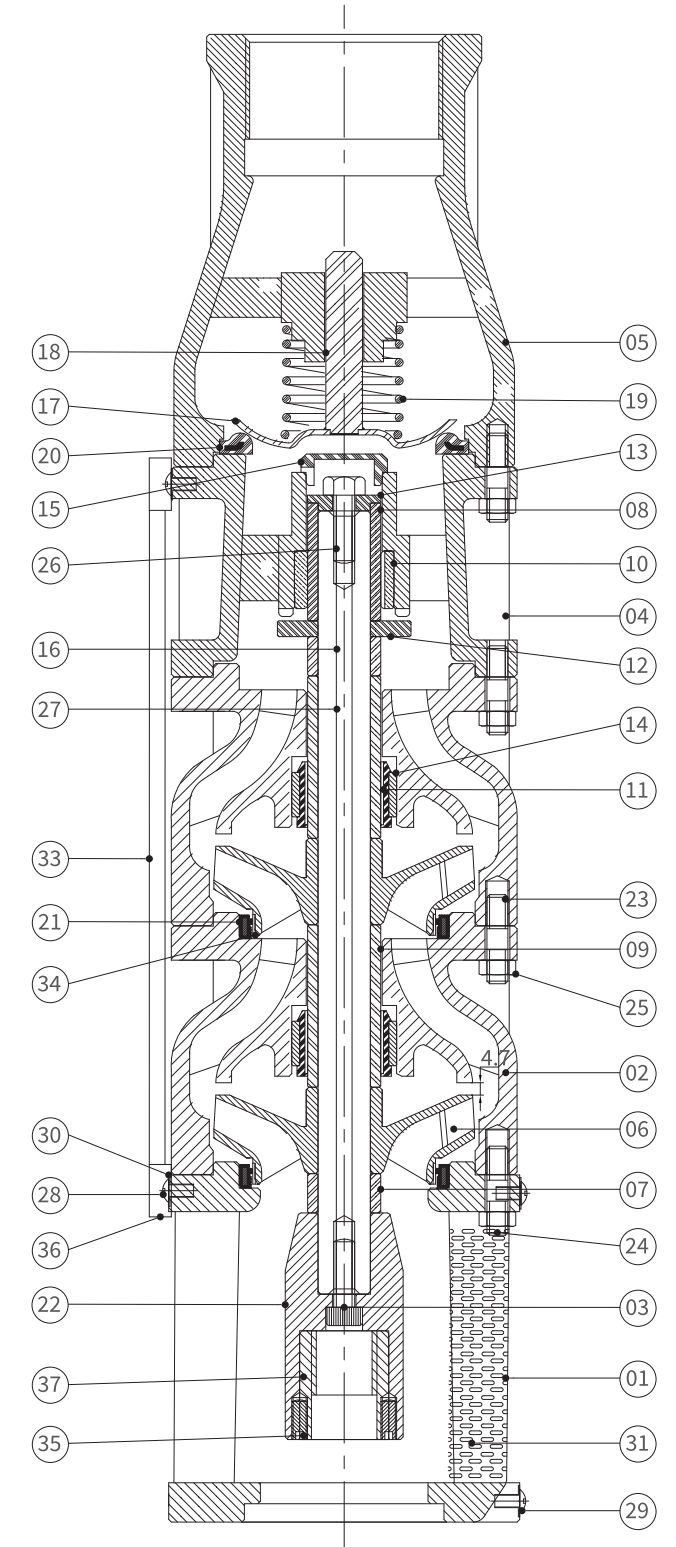
## 6RPM 600, 6RPM 610, 6RPM 630, 6RPM 640, 6RPM 650 & 6RPM 670 SERIES PUMP DESIGN

### SPECIFICATIONS & ADVANTAGES:

1. Suction Stage Casing and Discharge Outlets are made of Cast Iron.
2. Impellers of Mixed Flow Pump are available in Bronze or Stainless Steel.
3. Sleeves are made of Stainless Steel reinforced with Chromium to increase wear resistance against sand.
4. Pump shaft is of Stainless Steel.
5. Bearing bush for shaft is made of anti friction rubber to provide wear resistance against sand.
6. Non Return Valve is made of Stainless Steel.
7. Cable Guard and Strainer are made of Stainless Steel.
8. Pump and Motor coupling is according to NEMA standard.
9. Minimum water on aspiration is one meter.
10. 4" and 6" motor connections are also available.
11. Complete stainless steel pump is also available on request.
12. Operating Range :
  - Head range : 10 mtr to 300 mtr
  - Flow rate : 120 lpm to 1800 lpm
  - Immersion : 1 mtr minimum
13. Maximum level of Sand content: 50 gm/m<sup>3</sup>
14. Application : These pumps are for domestic, agriculture & industrial usage.

### Material Specification

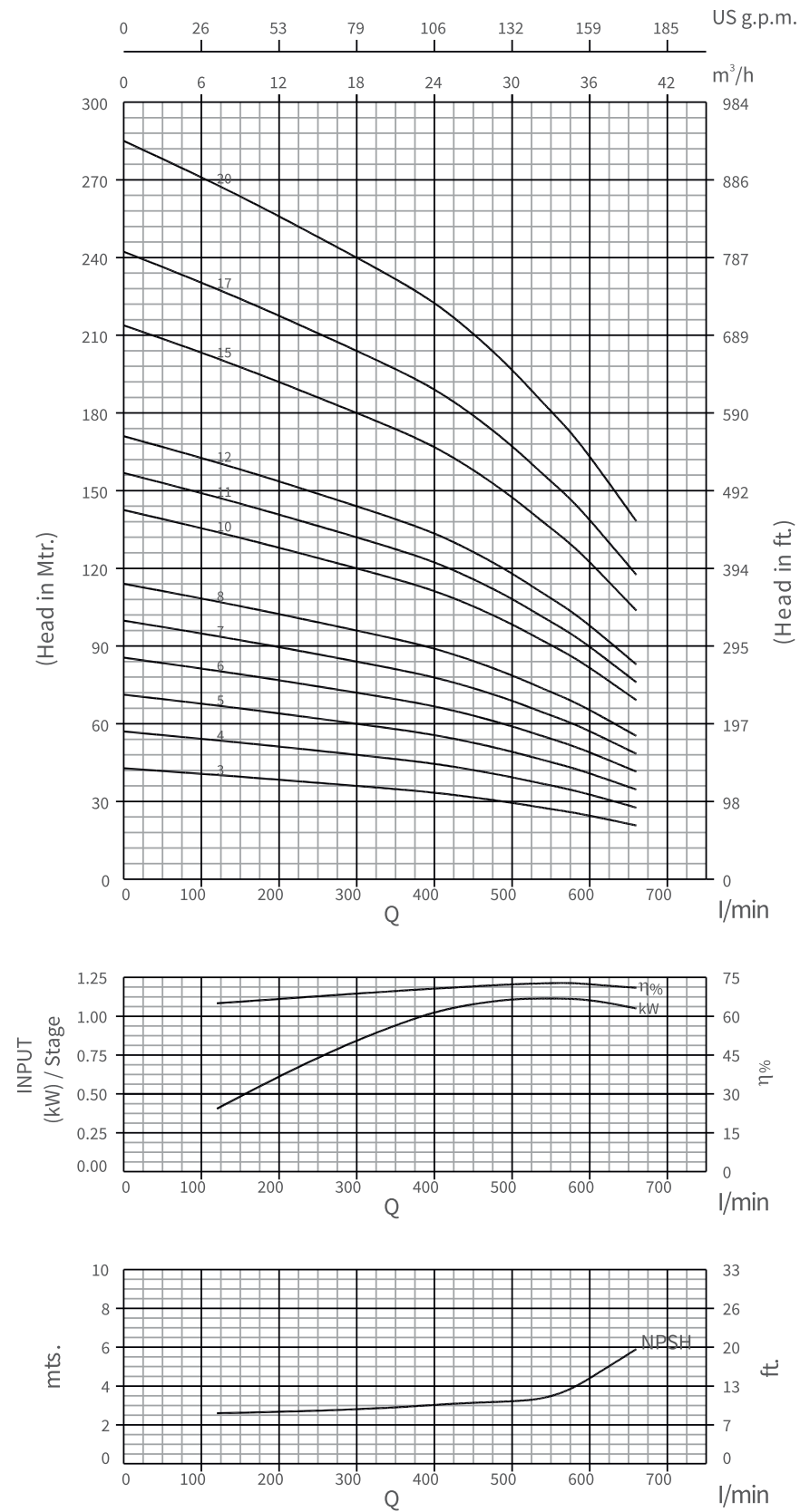
NO	PART'S NAME	MATERIAL
1	SUCTION (ROUTINE)	C.I.(F.G. 200)
2	BOWL (REGULAR)	C.I.(F.G. 200)
3	ALLEN BOLT	S.S. 304
4	D.O.L.	C.I.(F.G. 200)
5	NRV	C.I.(F.G. 200)
6	IMPELLER (G.M.)	G.M.
	IMPELLER (C.I.)	C.I.(F.G. 200)
	IMPELLER (S.S. 410)	S.S. 410
	IMPELLER (I.C.)	I.C.
7	SLEEVE (DIST.)	S.S. 410
8	SLEEVE (TOP)	S.S. 410
9	SLEEVE (BOWL)	S.S. 410
10	BEARING BUSH	L.T.B 4 (2% NI)
11	BOWL BUSH	N.B.R.
12	THRUST COLLAR	S.S. 410
13	TOP COLLAR	S.S. 304
14	BUSH COLLAR	P.P.O (20% GF)
15	DOL CAP	P.R.O.
16	SHAFT	S.S. 410
17	N.R.V. CONE PLATE	S.S. 202
18	N.R.V. CONE ROD	S.S. 304
19	N.R.V. CONE SPRING	S.S. 304
20	N.R.V. NECKRING	M.S. / N.B.R.
21	BOWL NECKRING	M.S./N.B.R.
22	COUPLING(EXPORT)	S.S.304
23	STUD(BOWL & DOL)	S.S.304
24	STUD (SUCTION)	S.S.304
25	HEX NUT	S.S.304
26	HEX BOLT	S.S.304
27	KEY	S.S. 304
28	SCREW(CABLE GUARD)	S.S. 304
29	SCREW (STRAINER)	S.S. 304
30	SCREW WASHER	S.S. 304
31	STRAINER	S.S.202
32	PAPER GASKET	PAPER
33	CABLE GUARD	S.S. 202
34	IMPELLER NECKRING	S.S. 202
35	GRUB SCREW (DOMESTIC)	S.S. 304
36	CABLE CLIP	S.S. 202
37	NEMA SLEEVE	S.S. 304



# Performance Curves

## 6RPM 600, 60Hz

ISO 9906 Annexure A



# Performance Chart

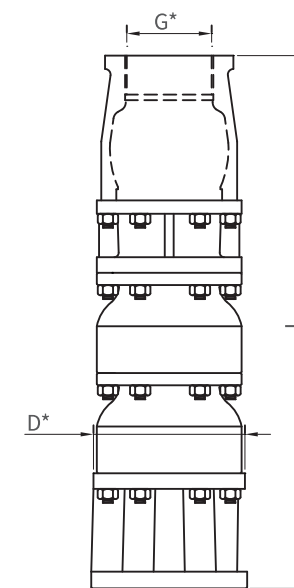
## 6RPM 600, 60Hz

ISO 9906 Annexure A

MODEL NAME	STAGE	RATING		DISCHARGE											
		kW	HP	l/min	0	120	240	360	420	495	538	576	612	660	
THREE PHASE				m³/h	0	7.20	14.40	21.60	25.21	29.71	32.29	34.57	36.73	39.61	

MODEL NAME	STAGE	kW	HP	43	40	37	35	33	30	28	26	24	21
6RPM 600-03	3	4.00	5.50										
6RPM 600-04	4	5.50	7.50	57	54	50	46	44	40	37	35	32	28
6RPM 600-05	5	7.50	10.00	71	67	62	58	55	50	46	43	40	35
6RPM 600-06	6	7.50	10.00	86	81	75	69	66	60	55	52	48	41
6RPM 600-07	7	9.30	12.50	100	94	87	81	77	70	65	60	55	48
6RPM 600-08	8	9.30	12.50	114	107	100	92	88	79	74	69	63	55
6RPM 600-10	10	13.00	17.50	142	134	125	115	109	99	92	86	79	69
6RPM 600-11	11	13.00	17.50	157	148	137	127	120	109	101	95	87	76
6RPM 600-12	12	15.00	20.00	171	161	150	138	131	119	111	104	95	83
6RPM 600-15	15	18.50	25.00	214	201	187	173	164	149	138	130	119	104
6RPM 600-17	17	22.00	30.00	242	228	212	196	186	169	157	147	135	118
6RPM 600-20	20	26.00	35.00	285	269	250	230	219	199	184	173	158	138

## Dimensions & Weights



Model name	Specification				
	D (mm) Single Cable Guard	D (mm) Double Cable Guard	L (mm)	Pump Weight (kg)	Weight (incl.pkg)[kg]
6RPM 600-03	144	146	630	26.0	34.0
6RPM 600-04	144	146	720	30.0	38.0
6RPM 600-05	144	146	810	34.0	42.0
6RPM 600-06	144	146	900	38.0	46.0
6RPM 600-07	144	146	990	42.0	49.0
6RPM 600-08	144	146	1080	45.0	53.0
6RPM 600-10	144	146	1260	53.0	61.0
6RPM 600-11	144	146	1350	57.0	65.0
6RPM 600-12	144	146	1440	61.0	69.0
6RPM 600-15	144	146	1710	73.0	81.0
6RPM 600-17	144	146	1890	81.0	89.0
6RPM 600-20	144	146	2160	92.0	100.0

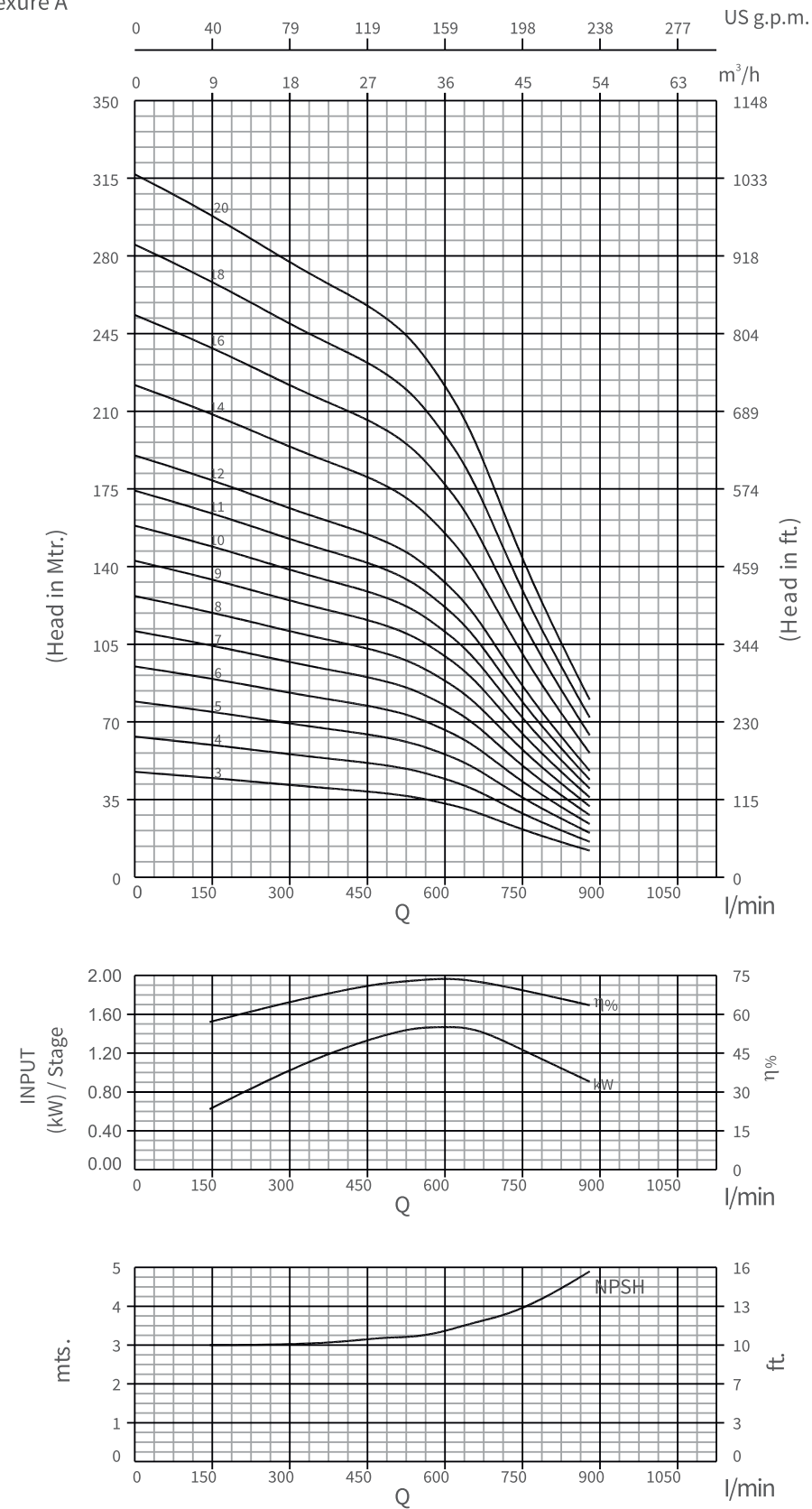
\*G: Available Outlet Size 2",2.5" & 3"

\*D: With Cable Guard

# Performance Curves

## 6RPM 610, 60Hz

ISO 9906 Annexure A



# Performance Chart

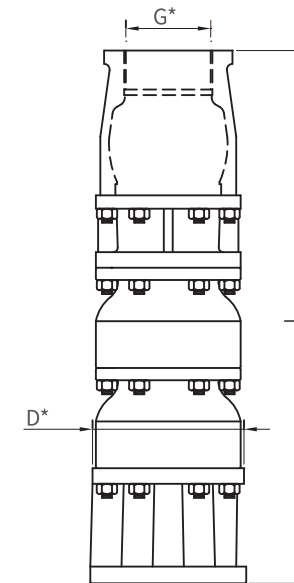
## 6RPM 610, 60Hz

ISO 9906 Annexure A

MODEL NAME	STAGE	RATING		DISCHARGE										
		kW	HP		l/min	0	145	300	420	480	540	600	660	760
THREE PHASE				m³/h	0	8.70	18.0	25.21	28.81	32.41	36.0	39.62	45.62	52.82

MODEL NAME	STAGE	kW	HP	(Head in Mtr.)	48	45	41	39	38	36	33	30	20	12
6RPM 610-03	3	5.50	7.50	48	45	41	39	38	36	33	30	20	12	
6RPM 610-04	4	7.50	10.00	63	60	55	52	51	48	44	40	27	16	
6RPM 610-05	5	7.50	10.00	79	75	69	66	63	60	55	50	34	20	
6RPM 610-06	6	9.30	12.50	95	90	83	79	76	73	67	60	40	24	
6RPM 610-07	7	13.00	17.50	111	105	97	92	89	85	78	70	47	28	
6RPM 610-08	8	13.00	17.50	127	120	111	105	101	97	89	80	54	32	
6RPM 610-09	9	15.00	20.00	143	135	124	118	114	109	100	89	60	36	
6RPM 610-10	10	18.50	25.00	158	150	138	131	127	121	111	99	67	40	
6RPM 610-11	11	18.50	25.00	174	165	152	144	139	133	122	109	74	44	
6RPM 610-12	12	18.50	25.00	190	180	166	157	152	145	133	119	80	48	
6RPM 610-14	14	22.00	30.00	222	210	193	183	177	169	155	139	94	56	
6RPM 610-16	16	26.00	35.00	253	240	221	210	203	194	177	159	107	64	
6RPM 610-18	18	30.00	40.00	285	270	249	236	228	218	200	179	121	72	
6RPM 610-20	20	30.00	40.00	317	300	276	262	253	242	222	199	134	80	

## Dimensions & Weights



Model Name	Specification				
	D (mm) Single Cable Guard	D (mm) Double Cable Guard	L (mm)	Pump Weight (kg)	Weight (incl.pkg)[kg]
6RPM 610-03	142	145	663	28.0	36.0
6RPM 610-04	142	145	758	33.0	41.0
6RPM 610-05	142	145	853	38.0	46.0
6RPM 610-06	142	145	948	43.0	51.0
6RPM 610-07	142	145	1043	48.0	56.0
6RPM 610-08	142	145	1138	52.0	60.0
6RPM 610-09	142	145	1233	57.0	65.0
6RPM 610-10	142	145	1328	62.0	70.0
6RPM 610-11	142	145	1423	67.0	75.0
6RPM 610-12	142	145	1518	72.0	79.0
6RPM 610-14	142	145	1708	81.0	89.0
6RPM 610-16	142	145	1898	91.0	99.0
6RPM 610-18	142	145	2088	101.0	109.0
6RPM 610-20	142	145	2278	110.0	118.0

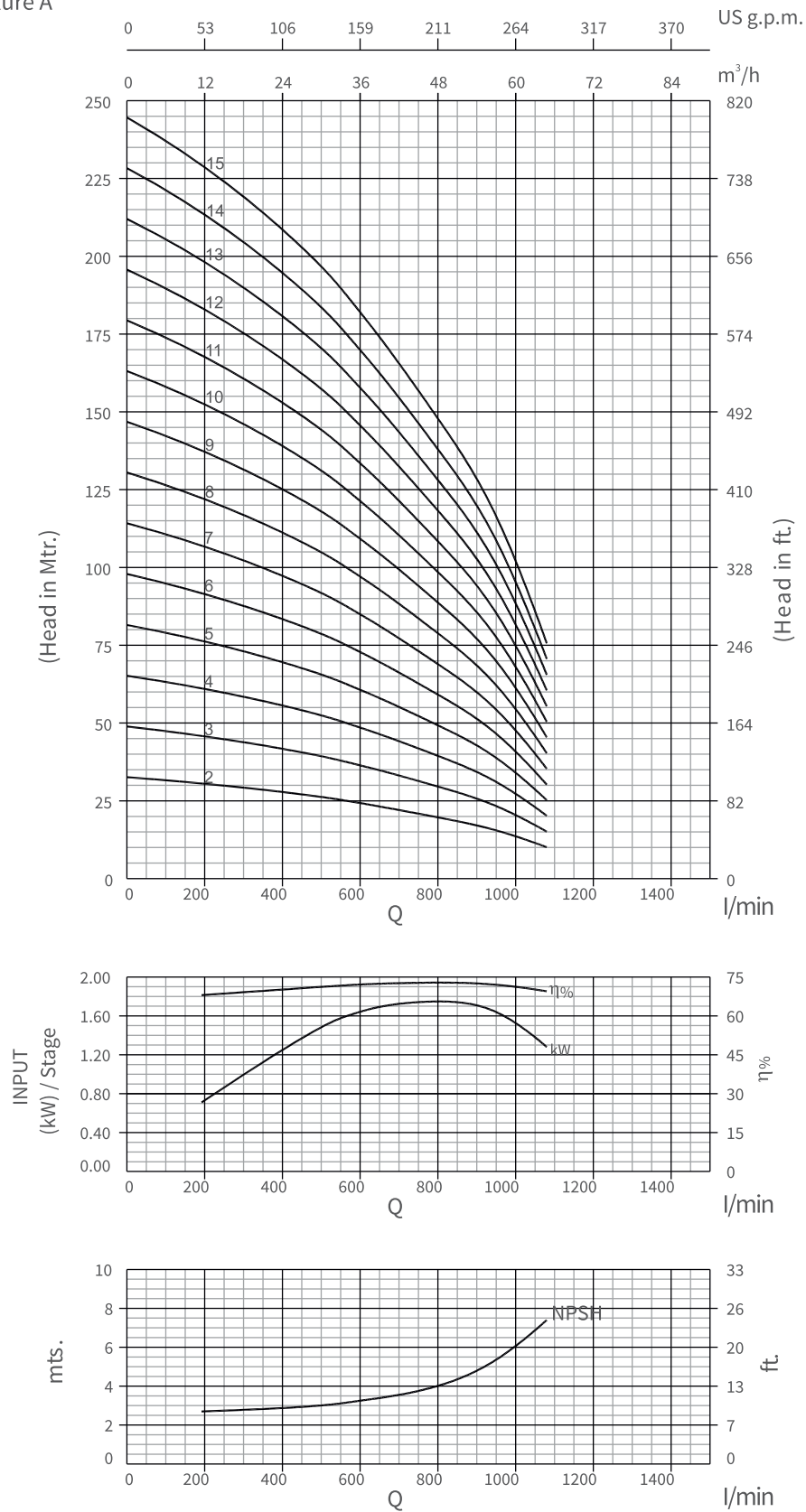
\*G: Available Outlet Size 2", 2.5" & 3"

\*D: With Cable Guard

# Performance Curves

## 6RPM 630, 60Hz

ISO 9906 Annexure A



# Performance Chart

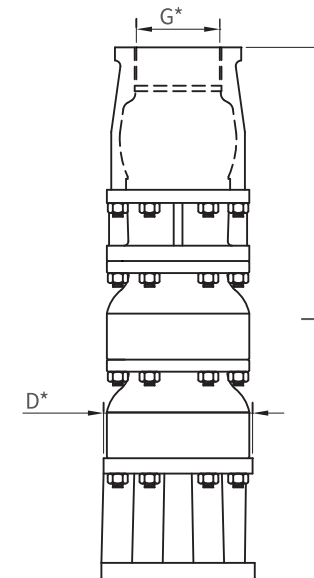
## 6RPM 630, 60Hz

ISO 9906 Annexure A

MODEL NAME	STAGE	RATING		l/min m³/h	DISCHARGE							
		kW	HP		0	192	480	576	660	800	960	1080
THREE PHASE					0	11.52	28.81	34.57	39.61	48.0	57.62	64.82

MODEL NAME	STAGE	kW	HP	33	31	27	25	23	20	16	10
6RPM 630-02	2	5.50	7.50	33	31	27	25	23	20	16	10
6RPM 630-03	3	7.50	10.00	49	46	40	37	35	30	24	15
6RPM 630-04	4	7.50	10.00	65	62	54	50	46	39	32	20
6RPM 630-05	5	9.30	12.50	82	77	67	62	58	49	40	25
6RPM 630-06	6	13.00	17.50	98	92	80	74	69	59	48	30
6RPM 630-07	7	15.00	20.00	114	108	94	87	81	69	55	35
6RPM 630-08	8	18.50	25.00	130	123	107	99	92	79	63	40
6RPM 630-09	9	18.50	25.00	147	139	121	111	104	89	71	45
6RPM 630-10	10	18.50	25.00	163	154	134	124	115	99	79	50
6RPM 630-11	11	22.00	30.00	179	169	147	136	127	109	87	55
6RPM 630-12	12	26.00	35.00	196	185	161	149	138	118	95	60
6RPM 630-13	13	30.00	40.00	212	200	174	161	150	128	103	66
6RPM 630-14	14	30.00	40.00	228	216	187	173	161	138	111	71
6RPM 630-15	15	30.00	40.00	245	231	201	186	173	148	119	76

## Dimensions & Weights



Model name	Specification				
	D (mm) Single Cable Guard	D (mm) Double Cable Guard	L (mm)	Pump Weight (kg)	Weight (incl.pkg)[kg]
6RPM 630-02	142	145	578	24.0	32.0
6RPM 630-03	142	145	678	29.0	37.0
6RPM 630-04	142	145	778	34.0	42.0
6RPM 630-05	142	145	878	39.0	47.0
6RPM 630-06	142	145	978	44.0	52.0
6RPM 630-07	142	145	1078	49.0	57.0
6RPM 630-08	142	145	1178	54.0	62.0
6RPM 630-09	142	145	1278	59.0	67.0
6RPM 630-10	142	145	1378	64.0	72.0
6RPM 630-11	142	145	1478	69.0	77.0
6RPM 630-12	142	145	1578	74.0	82.0
6RPM 630-13	142	145	1678	79.0	87.0
6RPM 630-14	142	145	1778	84.0	92.0
6RPM 630-15	142	145	1878	89.0	97.0

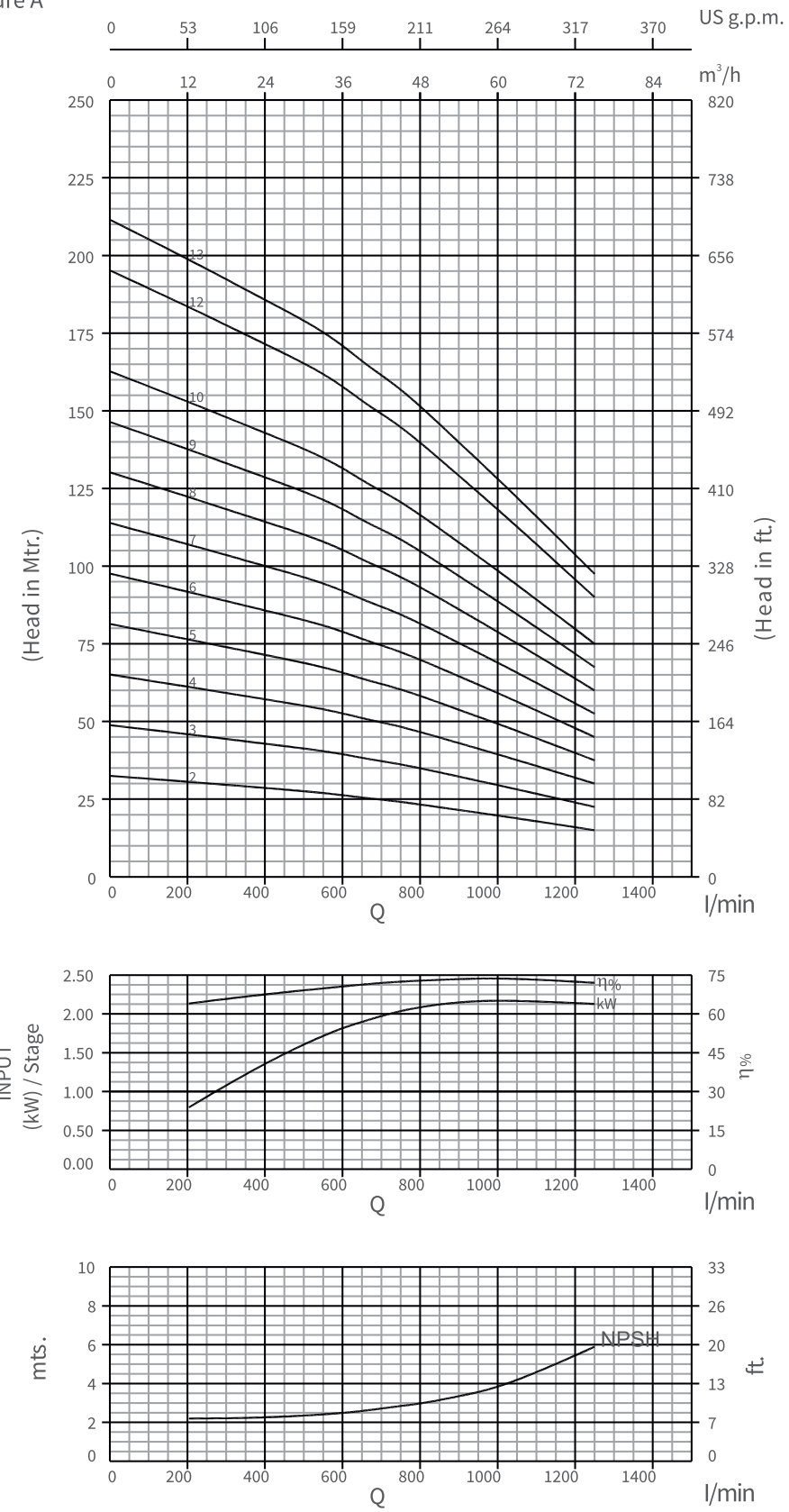
\*G: Available Outlet Size 2",2.5" & 3"

\*D: With Cable Guard

# Performance Curves

## 6RPM 640, 60Hz

ISO 9906 Annexure A



# Performance Chart

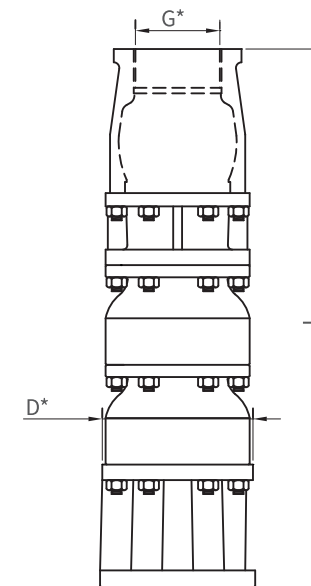
## 6RPM 640, 60Hz

ISO 9906 Annexure A

MODEL NAME	THREE PHASE	STAGE	RATING		DISCHARGE										
			kW	HP	l/min m³/h	0	204	360	560	660	730	816	912	1032	1250
6RPM 640-02		2	7.50	10.00	33	31	29	27	25	24	23	21	19	15	
6RPM 640-03		3	7.50	10.00	49	46	43	40	38	37	35	32	29	22	
6RPM 640-04		4	9.30	12.50	65	61	58	54	51	49	46	43	38	30	
6RPM 640-05		5	13.00	17.50	81	76	72	68	63	61	58	53	48	38	
6RPM 640-06		6	15.00	20.00	98	92	87	81	76	73	69	64	57	45	
6RPM 640-07		7	18.50	25.00	114	107	101	94	89	86	81	75	67	52	
6RPM 640-08		8	18.50	25.00	130	122	116	108	101	98	92	85	77	60	
6RPM 640-09		9	22.00	30.00	146	138	130	122	114	110	104	96	86	68	
6RPM 640-10		10	26.00	35.00	163	153	145	135	127	122	115	106	96	75	
6RPM 640-12		12	30.00	40.00	195	183	174	162	152	147	138	128	115	90	
6RPM 640-13		13	30.00	40.00	212	199	188	176	165	159	150	138	124	98	

MODEL NAME	STAGE	kW	HP	(Head in Mtr.)	33	31	29	27	25	24	23	21	19	15
6RPM 640-02	2	7.50	10.00	33	31	29	27	25	24	23	21	19	15	
6RPM 640-03	3	7.50	10.00	49	46	43	40	38	37	35	32	29	22	
6RPM 640-04	4	9.30	12.50	65	61	58	54	51	49	46	43	38	30	
6RPM 640-05	5	13.00	17.50	81	76	72	68	63	61	58	53	48	38	
6RPM 640-06	6	15.00	20.00	98	92	87	81	76	73	69	64	57	45	
6RPM 640-07	7	18.50	25.00	114	107	101	94	89	86	81	75	67	52	
6RPM 640-08	8	18.50	25.00	130	122	116	108	101	98	92	85	77	60	
6RPM 640-09	9	22.00	30.00	146	138	130	122	114	110	104	96	86	68	
6RPM 640-10	10	26.00	35.00	163	153	145	135	127	122	115	106	96	75	
6RPM 640-12	12	30.00	40.00	195	183	174	162	152	147	138	128	115	90	
6RPM 640-13	13	30.00	40.00	212	199	188	176	165	159	150	138	124	98	

## Dimensions & Weights



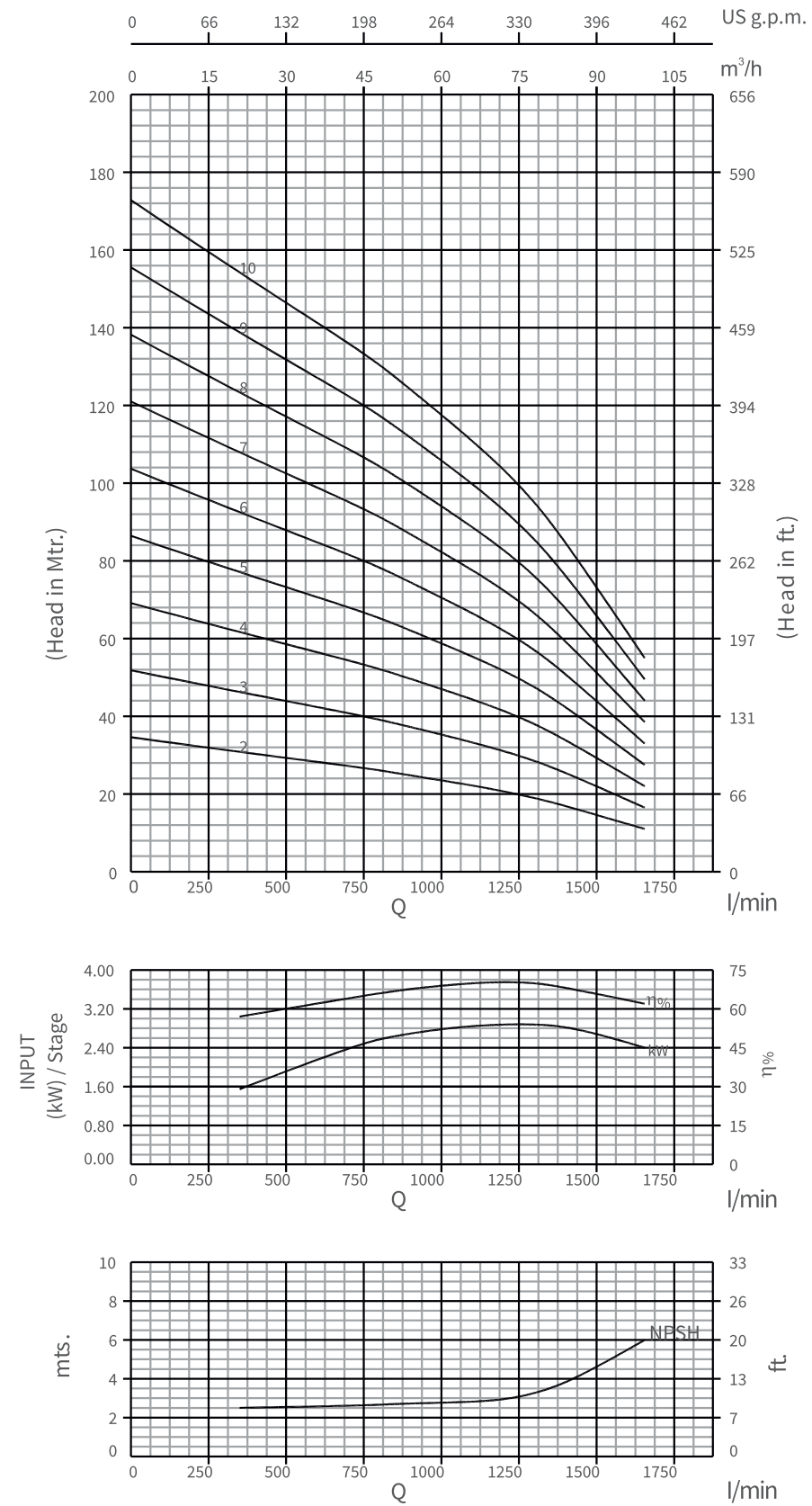
Model name	Specification				
	D (mm) Single Cable Guard	D (mm) Double Cable Guard	L (mm)	Pump Weight (kg)	Weight (incl. pkg) [kg]
6RPM 640-02	144	146	583	24.0	32.0
6RPM 640-03	144	146	688	30.0	38.0
6RPM 640-04	144	146	793	35.0	43.0
6RPM 640-05	144	146	898	40.0	48.0
6RPM 640-06	144	146	1003	45.0	53.0
6RPM 640-07	144	146	1108	50.0	58.0
6RPM 640-08	144	146	1213	55.0	63.0
6RPM 640-09	144	146	1318	60.0	68.0
6RPM 640-10	144	146	1423	66.0	74.0
6RPM 640-12	144	146	1633	76.0	84.0
6RPM 640-13	144	146	1738	81.0	89.0

\*G: Available Outlet Size 2", 2.5" & 3"  
\*D: With Cable Guard

# Performance Curves

## 6RPM 650, 60Hz

ISO 9906 Annexure A



# Performance Chart

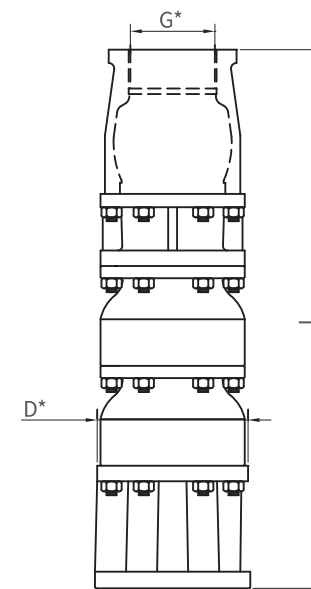
## 6RPM 650, 60Hz

ISO 9906 Annexure A

MODEL NAME	STAGE	RATING		DISCHARGE										
		kW	HP	l/min m³/h	0	350	720	840	960	1080	1200	1320	1450	1655
THREE PHASE					0	21.0	43.2	50.4	57.6	64.8	72.0	79.2	87.0	99.3

MODEL NAME	STAGE	kW	HP	(Head in Mtr.)										
6RPM 650-02	2	7.50	10.00	35	31	27	26	24	22	21	19	16	11	
6RPM 650-03	3	9.30	12.50	52	46	41	38	36	34	31	28	24	16	
6RPM 650-04	4	13.00	17.50	69	62	54	51	48	45	41	37	32	22	
6RPM 650-05	5	18.50	25.00	86	77	68	64	60	56	52	47	40	28	
6RPM 650-06	6	18.50	25.00	104	92	81	77	72	67	62	56	48	33	
6RPM 650-07	7	22.00	30.00	121	108	95	90	84	79	73	66	55	38	
6RPM 650-08	8	26.00	35.00	138	123	108	102	96	90	83	75	63	44	
6RPM 650-09	9	30.00	40.00	156	139	122	115	108	101	93	84	71	50	
6RPM 650-10	10	30.00	40.00	173	154	135	128	120	112	104	94	79	55	

## Dimensions & Weights



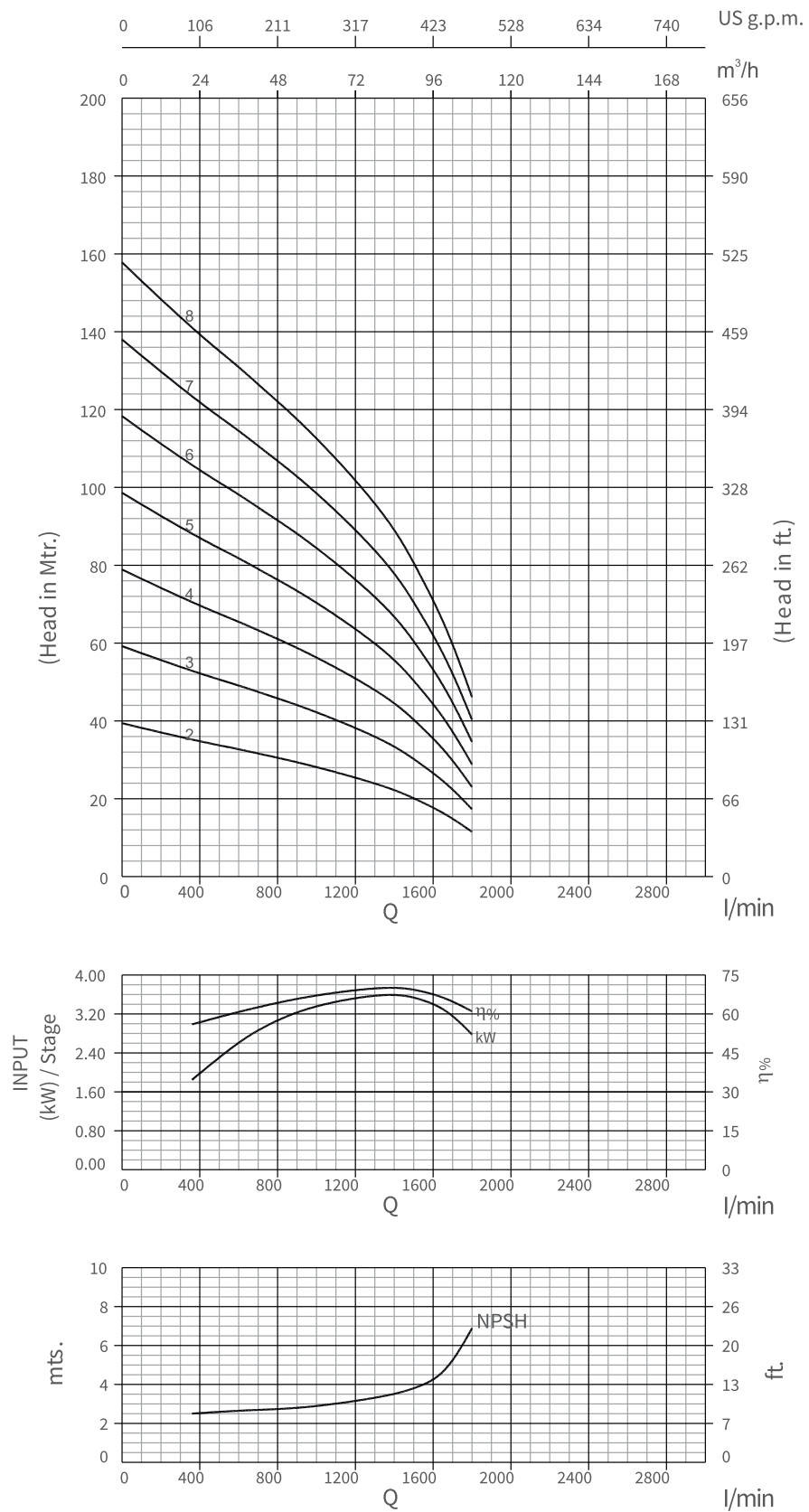
Model name	Specification				
	D (mm) Single Cable Guard	D (mm) Double Cable Guard	L (mm)	Pump Weight (kg)	Weight (incl.pkg)[kg]
6RPM 650-02	144	146	583	25.0	33.0
6RPM 650-03	144	146	688	30.0	38.0
6RPM 650-04	144	146	793	35.0	43.0
6RPM 650-05	144	146	898	40.0	48.0
6RPM 650-06	144	146	1003	45.0	53.0
6RPM 650-07	144	146	1108	50.0	58.0
6RPM 650-08	144	146	1213	55.0	63.0
6RPM 650-09	144	146	1318	60.0	68.0
6RPM 650-10	144	146	1423	66.0	74.0

\*G: Available Outlet Size 2", 2.5" & 3"  
\*D: With Cable Guard

# Performance Curves

## 6RPM 670, 60Hz

ISO 9906 Annexure A



# Performance Chart

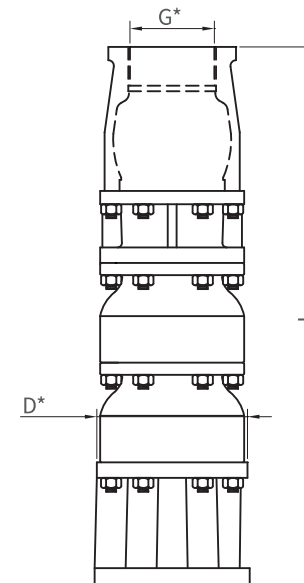
## 6RPM 670, 60Hz

ISO 9906 Annexure A

MODEL NAME	THREE PHASE	STAGE	RATING		DISCHARGE												
			kW	HP	l/min m³/h	0	360	580	720	960	1380	1536	1680	1800			
					0	21.6	34.8	43.2	57.6	82.8	92.2	100.8	108				

6RPM 670-02	2	9.30	12.50	(Head in Mtr.)	39	35	33	31	29	23	19	16	12
6RPM 670-03	3	13.00	17.50		59	53	50	47	43	35	29	24	17
6RPM 670-04	4	18.50	25.00		79	70	66	63	58	46	39	32	23
6RPM 670-05	5	18.50	25.00		99	88	82	78	72	58	48	40	29
6RPM 670-06	6	22.00	30.00		118	105	99	94	86	69	58	48	35
6RPM 670-07	7	26.00	35.00		138	123	116	110	101	81	68	55	40
6RPM 670-08	8	30.00	40.00		158	141	132	126	115	92	77	63	46

## Dimensions & Weights



Model name	Specification				
	D (mm) Single Cable Guard	D (mm) Double Cable Guard	L (mm)	Pump Weight (kg)	Weight (incl.pkg)[kg]
6RPM 670-02	144	146	583	26.0	34.0
6RPM 670-03	144	146	688	32.0	40.0
6RPM 670-04	144	146	793	37.0	45.0
6RPM 670-05	144	146	898	43.0	51.0
6RPM 670-06	144	146	1003	48.0	56.0
6RPM 670-07	144	146	1108	54.0	62.0
6RPM 670-08	144	146	1213	59.0	67.0

\*G: Available Outlet Size 2",2.5" & 3"

\*D: With Cable Guard